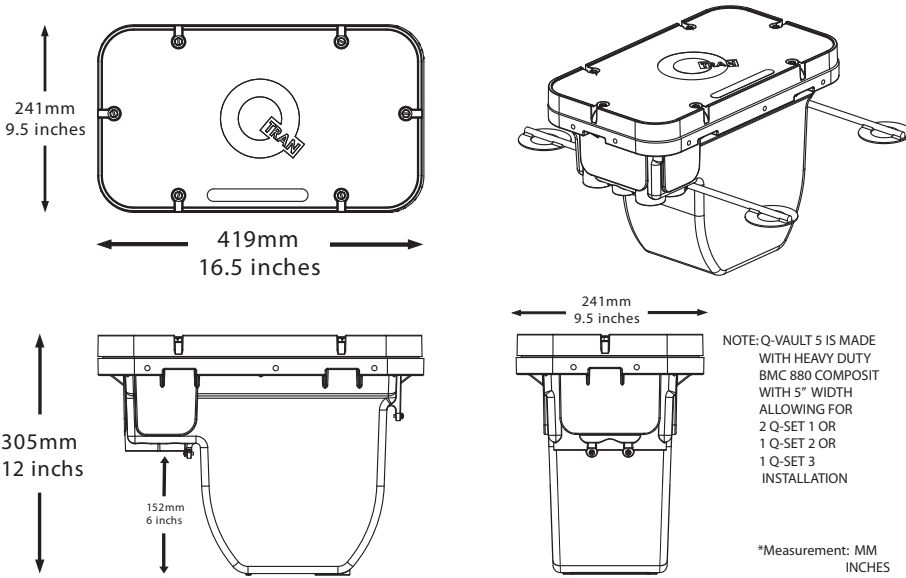


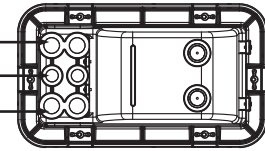
Q-VAULT 5

Direct Burial Transformer power supply Enclosure



Features

- (2) 3/4 NPT KO's
- (2) 1/2 NPT KO's
- (2) 3/4 NPT KO's



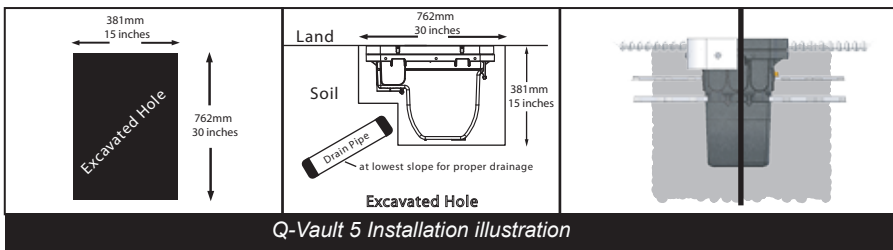
BOTTOM VIEW

Field Drill Guide LABEL in Kit Bag

Side Views

<p>1/2" Fittings Front: 8 max. Side: 2 per side max.</p> <p>3/4" Fittings Front: 6 max. Side: 1 per side max.</p> <p>1" Fittings Front: 3 max. Side: 1 per side max.</p> <p>1-1/2" Fittings Front: 2 max.</p> <p>1/2" Fitting Front: 2 max.</p>	<p>Field Drill Guide Labels</p>
---	---------------------------------

Q-VAULT 5 Direct Burial SPECIFICATION



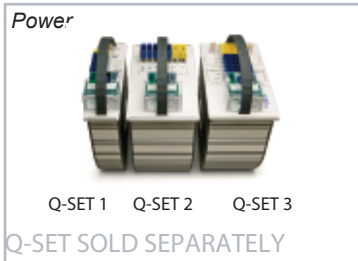
Features



Q-VAULT 5 Heavy Duty Door Gasket



Q-VAULT 5 Installation Kit



Preferated Drain Pipe



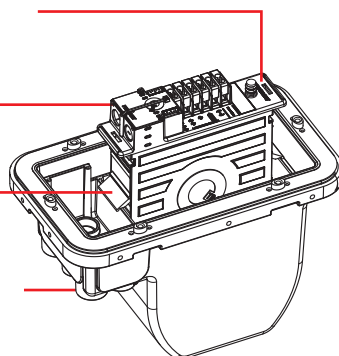
Stabilizing Bar

Fit up to two Q-SET 1 into one QVAULT-5 Enclosure.

QSET 1 (63.5 mm / 2.5 inch Cassette)

Support flaps for easy access while wiring.

QVAULT-5 (127.0 mm / 5.0 inch Housing)



239924

CLASS: 3426-04, 3246-94
Q-TRAN, INC.
WWW.Q-TRAN.COM

Q-VAULT-5 Order Specification Guide

5" Direct Burial Enclosure

Model Number:

Q-VAULT-5

Standard Unit is equipped with:

- 1 Housing & Door
- 1 Housing Gasket
- 2 Stabilizing Bars
- 1 Preferated Drain Pipe
- 1 Installation Kit

Options:

- Stainless Steel Diamond Plate Cover
- Bronze Plate Cover
- Lawn Guard Ring
- Concrete Pour Ring

Installation Kit includes:

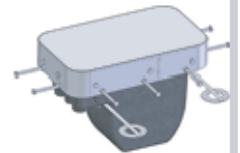
- 2 Epoxy Packs
- 2 Epoxy Application Syringes
- 1 Wad of Water Tight Putty
- 1 Dessicant Pouch
- 1 Silver Marker
- 1 Installation Instructions
- 1 Drilling Guide Label
- 12 Wire Ties



OPTION 1 (SC)
Stainless Steel
Diamond Plate Cover



OPTION 1 (BZ)
Bronze Plate Cover



OPTION 2 (CR)
Concrete Pour Ring



OPTION 2 (FR)
Flush Mount Ring

Model	Option 1	Option 2
Q-VAULT-5	+	+