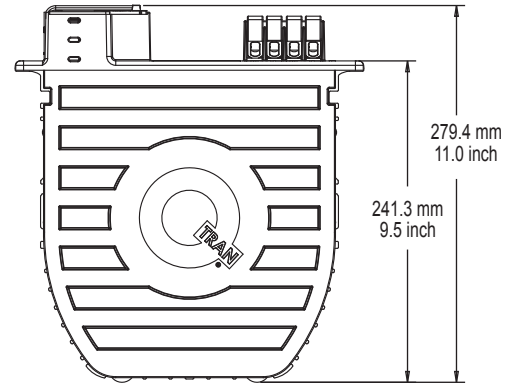
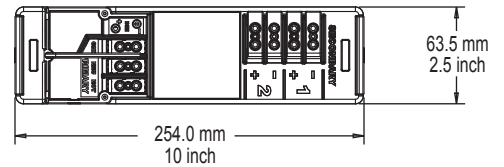
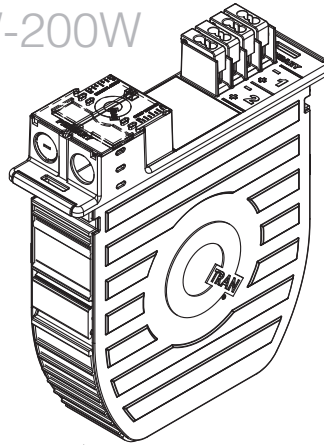


QSET-ELED

2.5" Wide Cassette 60W-200W

*Measurement: MM
INCHES

The LED drivers provides a constant voltage output for operating LED systems requiring a normal 12VDC or 24VDC voltage.



Model Numbers:

Without Dimming Module

With Dimming Module

- | | |
|------------------------------|----------------------------------|
| QSET-ELED - 60-XXX/12 | QSET-ELED - 60-XXX/12+DIM |
| QSET-ELED-120-XXX/12 | QSET-ELED-120-XXX/12+DIM |
| QSET-ELED-100-XXX/24 | QSET-ELED-100-XXX/24+DIM |
| QSET-ELED-200-XXX/24 | QSET-ELED-200-XXX/24+DIM |

- Each 12V QSET-ELED unit has one/ two 60W (120W) Driver per QSET. Each QVAULT-5 can hold a total of 240W.
- Each 24V QSET-ELED unit has one/ two 100W (200W) Driver per QSET. Each QVAULT-5 can hold a total of 400W.

Optional: Dimmer Controllers

Benefits & Specifications

- Limited output voltage and current, plus isolation for safe operation
- Facilitates new, low-profile fixture design
- Fully potted for moisture resistance and thermal benefits
- Suitable in any outdoor application
- Margin flexibility to facilitate fixture design
- Consistent light output across line and load levels

- **UL Class 2**
- **UL Outdoor Damp location rated - IP68 in Q-Vault**
- **Extreme low temperature performance (-40C)**
- **Generous low temperature performance (+60C ambient; 80/90C case rating)**
- **Tightly regulated output (1% line, 5% load)**
- **5 Year Warranty**

Ordering & Specification Guide

Model	Primary V.	Secondary V.
1	2	3

Model

12V

QSET-ELED-60-XXX/12
QSET-ELED-120-XXX/12
QSET-ELED - 60-XXX/12+DIM
QSET-ELED-120-XXX/12+DIM

24V

QSET-ELED-100-XXX/24
QSET-ELED-200-XXX/24
QSET-ELED-100-XXX/24+DIM
QSET-ELED-200-XXX/24+DIM

XXX = Primary Voltage

120 (60Hz) 277 (60Hz) 230 (50Hz)

Secondary Voltage

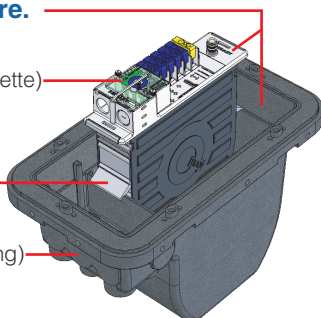
12V or 24V

Fit up to two QSET-ELED into one QVAULT-5 Enclosure.

QSET-ELED (63.5 mm / 2.5 inch Cassette)

Support flaps for easy access while wiring.

QVAULT-5 (127.0 mm / 5.0 inch Housing)



239924 
C US
CLASS: 3426-04, 3246-94
Q-TRAN, INC.
WWW.Q-TRAN.COM

Note: Q-Tran, Inc. reserves the right to modify design.