



LQT-75-120/12

LQT-75-277/12

Low Voltage Magnetic Transformer

Specification Sheet

Q-Tran, Inc. reserves the right to change product specifications at any time without incurring obligations.

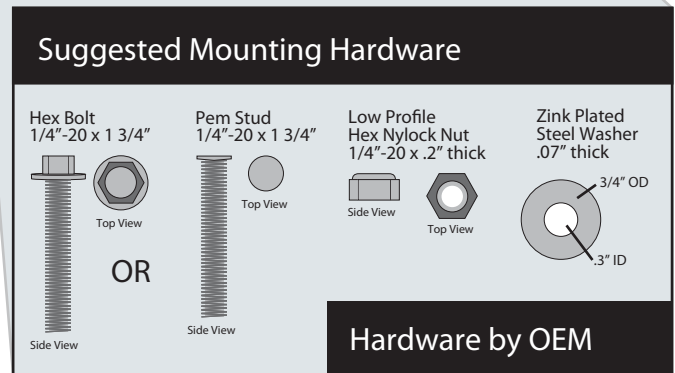
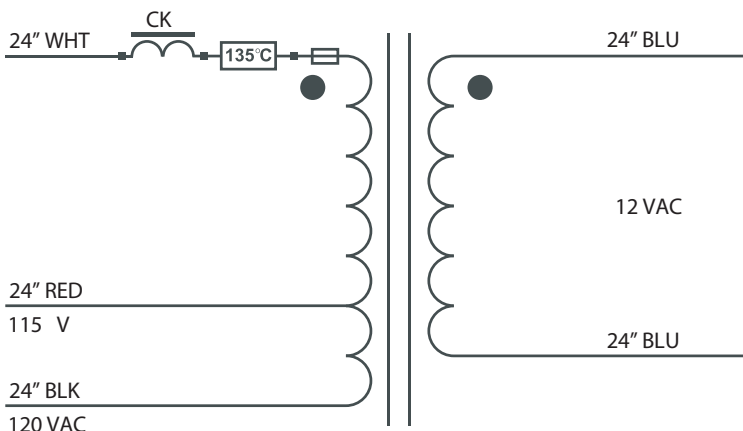
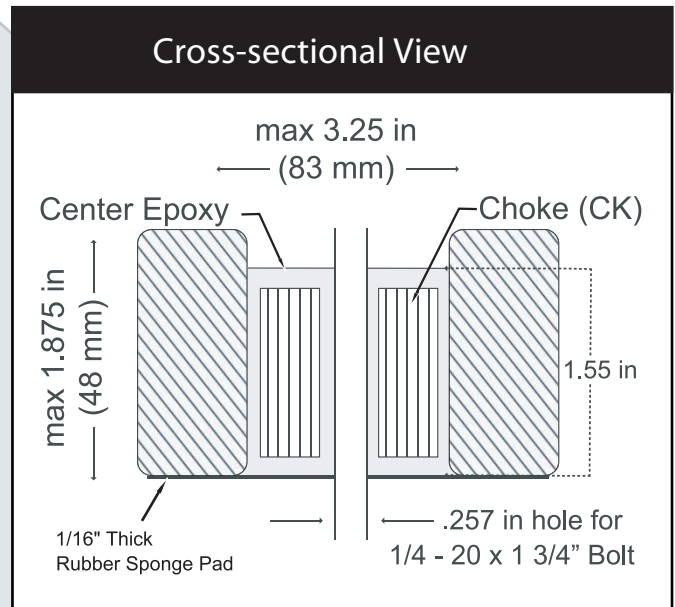
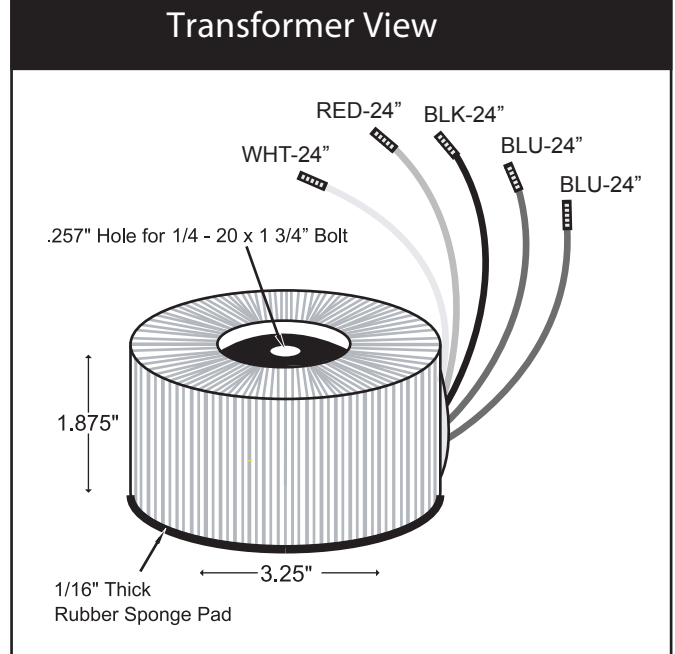
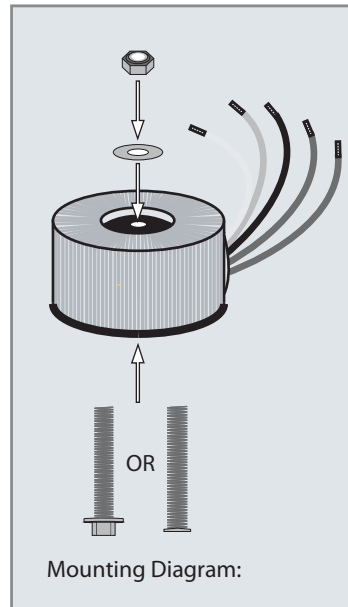
LQT Model Number:

LQT-75-120/12V AC

LQT-75-277/12V AC



- 1 - Power Rating: 75 Watts
- 2 - Primary Voltage: 120V (60Hz) or 277V (60Hz)
- 3 - Secondary Voltage: 12V
- 4 - Class F insulation system
- 5 - Internal Auto Reset Thermal protector on the primary
- 6 - Quiet operation at any light level
- 7 - Fully dimmable with Magnetic Low Voltage dimmer
- 8 - 4-6% more efficient than a laminated & Electronic transformer
- 9 - Multi taps to compensate for losses in the dimmer



Torque Requirements: minimum: 20 inch pounds
maximum: 25 inch pounds